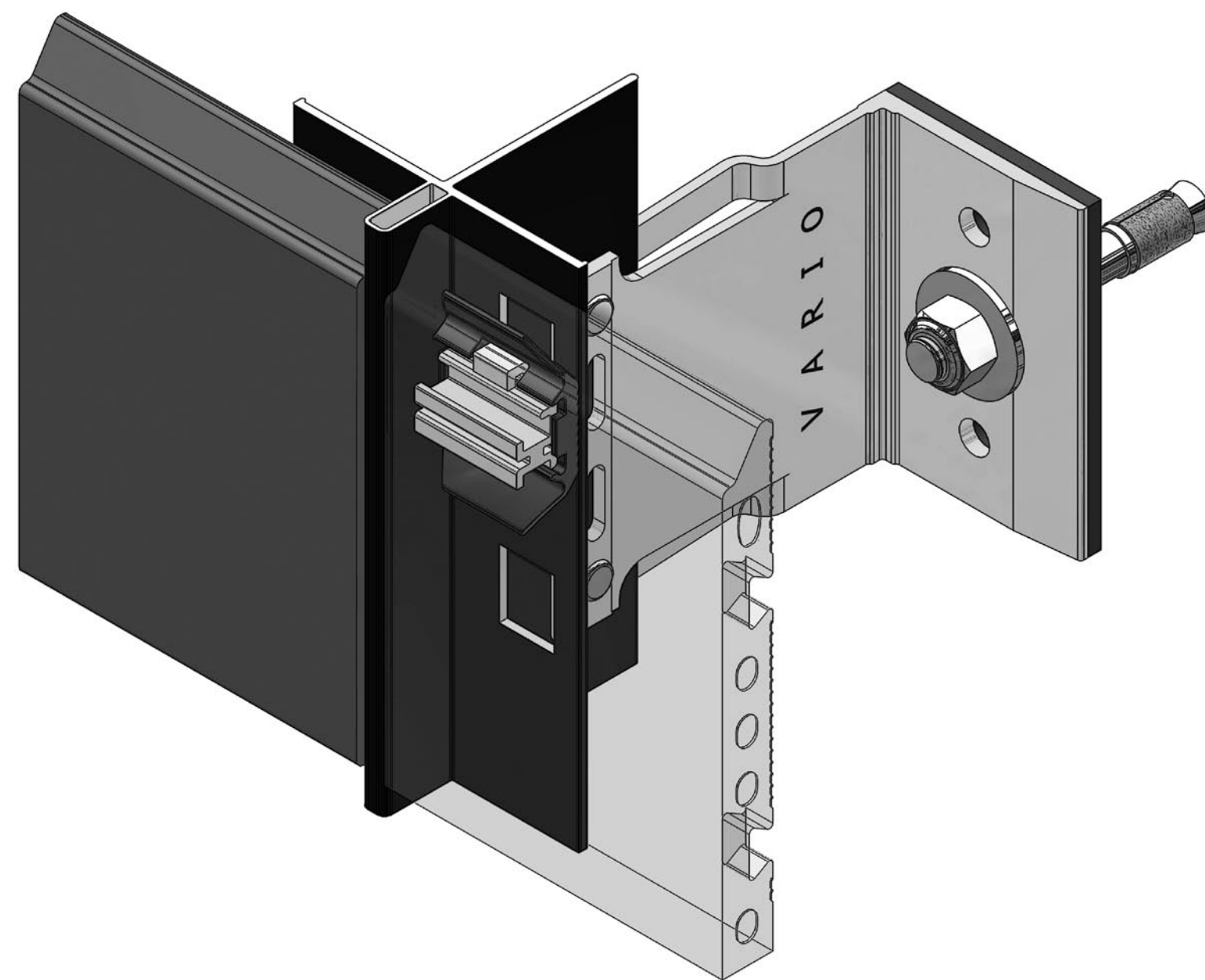
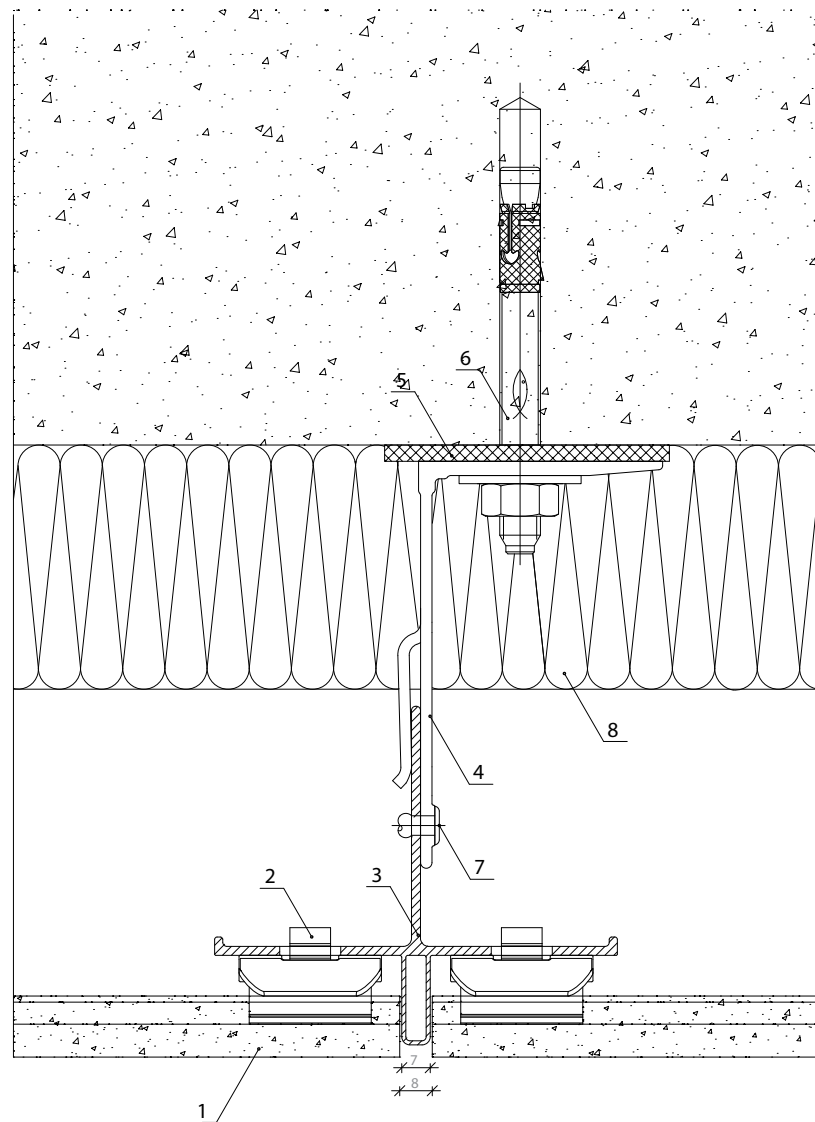


**VENTILATED
FAÇADE SYSTEM
FOR MOUNTING
CERAMIC TILES
AGROB BUCHTAL
KERA TWIN K15/K18**



detail 1 – Agrob Buchtal



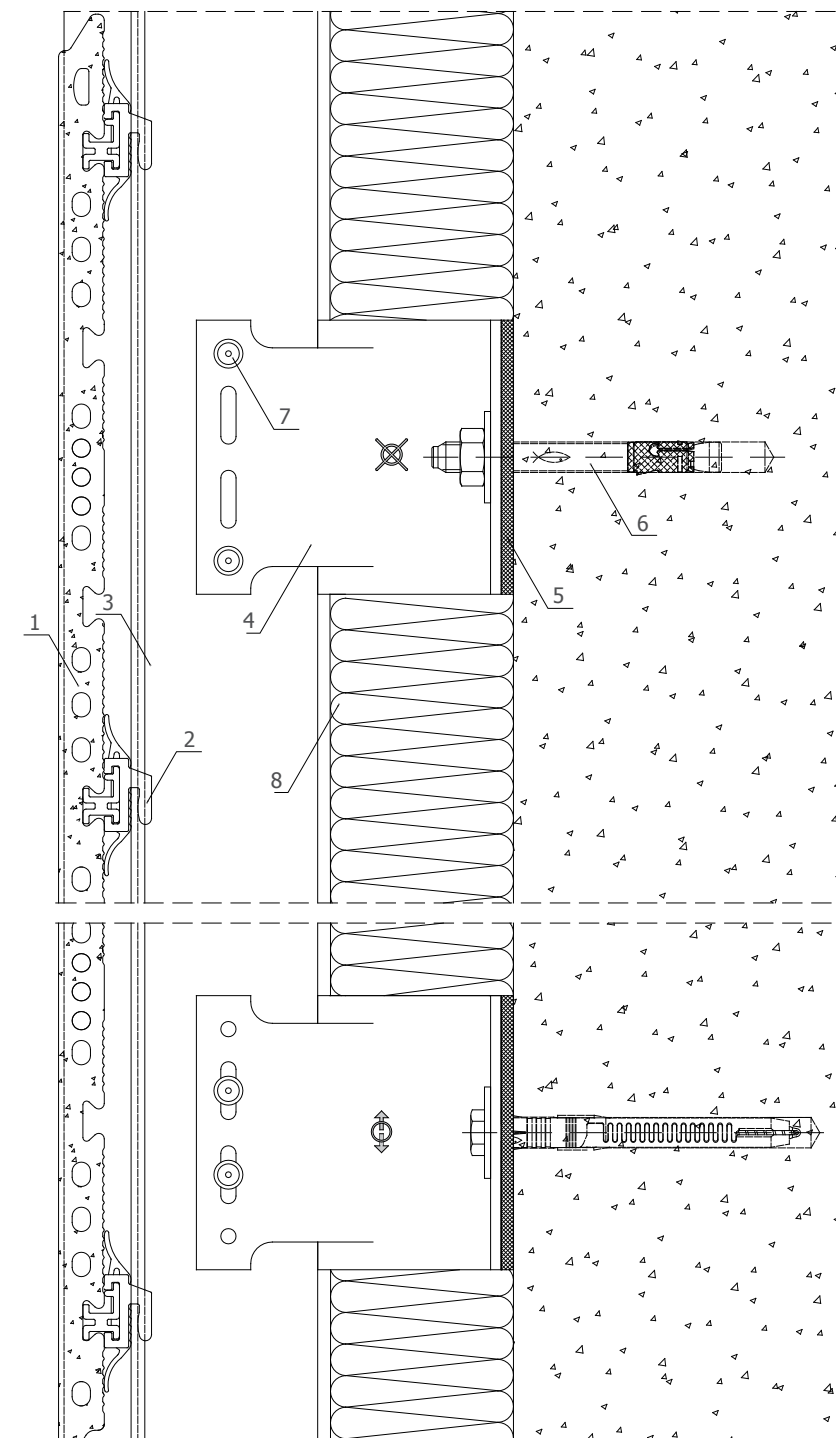
- 1. ceramic Agrob Buchtal
- 2. hanger
- 3. main profile
- 4. fixing bracket 100mm
- 5. thermo-insulation pad
- 6. anchor
- 7. rivet 4.8x12
- 8. thermal insulation

03/2010

The engineering design of this product is an intellectual property of ETEM Building Systems. Copying and distributing any parts of the product is a violation of the copyright law.



detail 2 – Agrob Buchtal



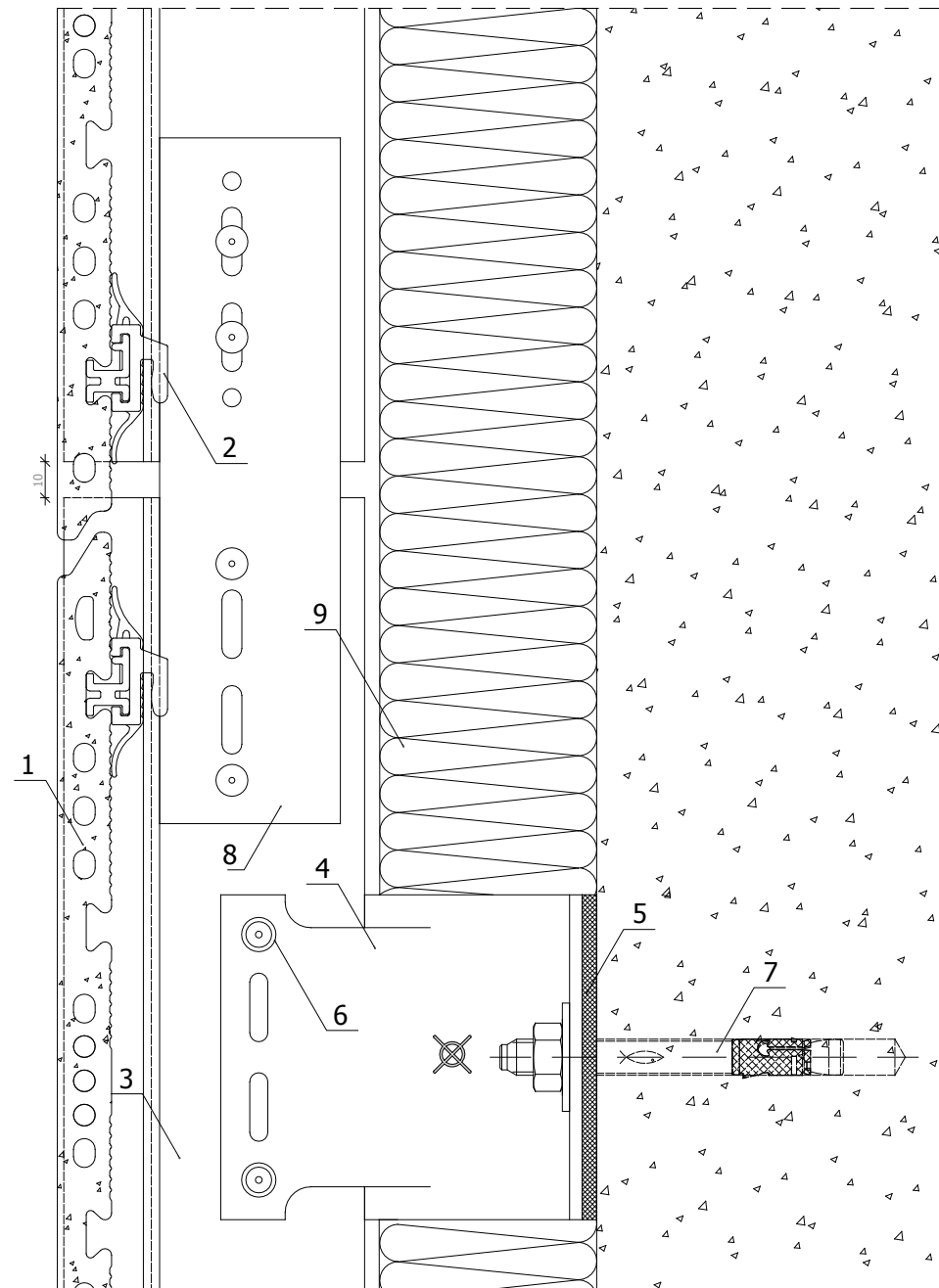
- 1. ceramic Agrob Buchtal
- 2. hanger
- 3. main profile
- 4. fixing bracket 100mm
- 5. thermo-insulation pad
- 6. anchor/plug
- 7. rivet 4.8x12
- 8. thermal insulation

03/2010

The engineering design of this product is an intellectual property of ETEM Building Systems. Copying and distributing any parts of the product is a violation of the copyright law.



detail 2.1 – Agrob Buchtal

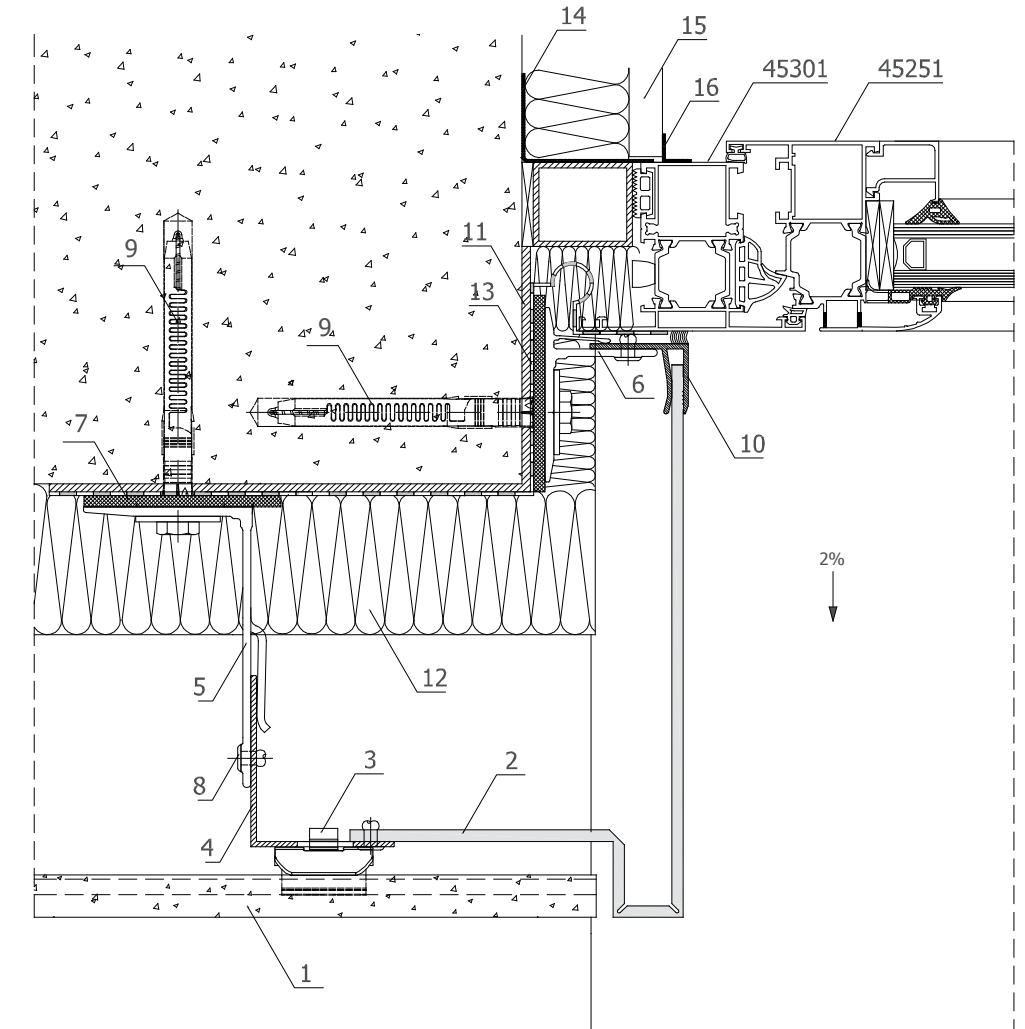


1. ceramic Agrob Buchtal
2. hanger
3. main profile
4. fixing bracket 100mm
5. thermo-insulation pad
6. rivet 4.8x12
7. anchor
8. join profile
9. thermal insulation

03/2010

The engineering design of this product is an intellectual property of ETEM Building Systems.
Copying and distributing any parts of the product is a violation of the copyright law.

detail 3 – Agrob Buchtal

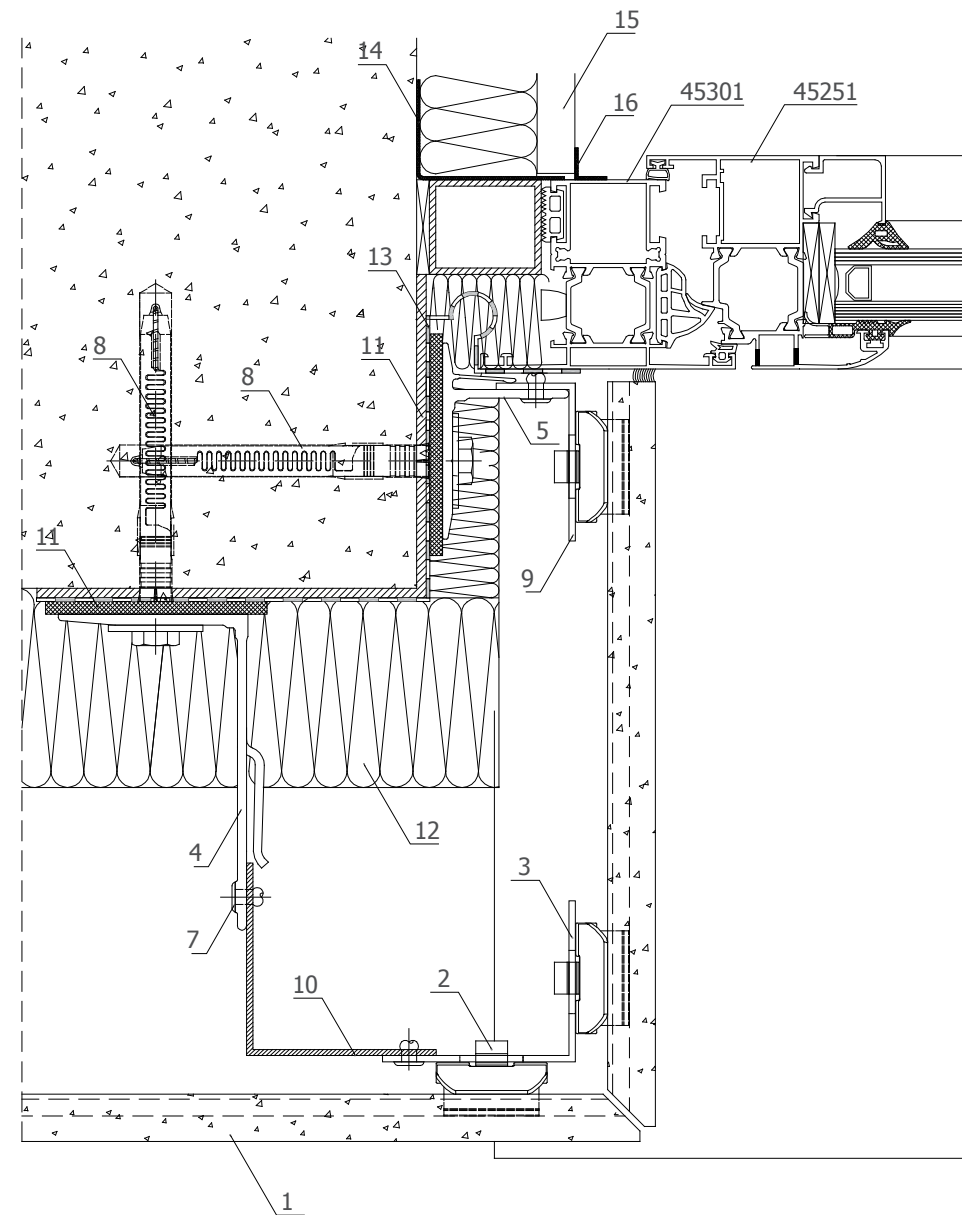


1. ceramic Agrob Buchtal
2. etalbond®
3. hanger
4. main profile
5. fixing bracket 100mm
6. fixing bracket 40mm
7. thermo-insulation pad
8. rivet 4.8x12
9. anchor/plug
10. F profile
11. aluminum sheet - 3mm
12. thermal insulation
13. waterproofing
14. steamproofing membrane
15. plasterboard
16. decorative PVC profile

03/2010

The engineering design of this product is an intellectual property of ETEM Building Systems.
Copying and distributing any parts of the product is a violation of the copyright law.

detail 3.1 – Agrob Buchtal

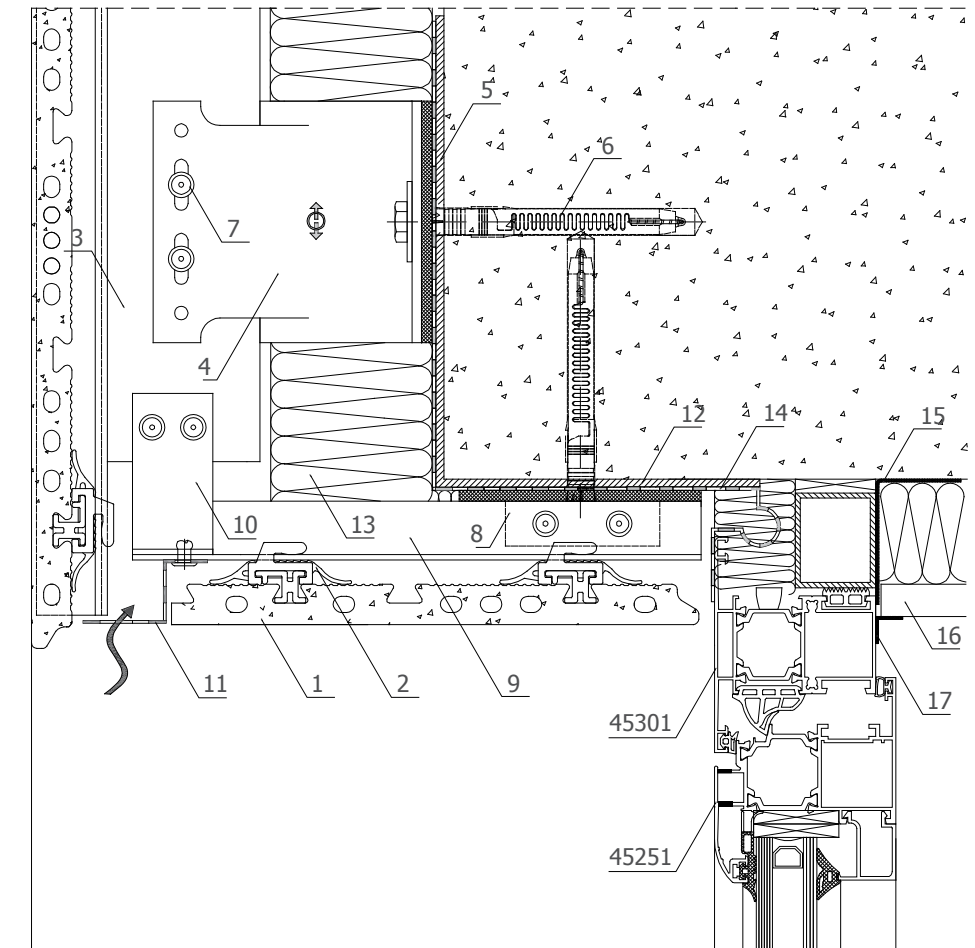


1. ceramic Agrob Buchtal
2. hanger
3. main profile
4. fixing bracket 100mm
5. fixing bracket 40mm
6. thermo-insulation pad
7. rivet 4.8x12
8. plug
9. L profile 50x25x2
10. L profile 60x60x2
11. aluminum sheet - 3mm
12. thermal insulation
13. waterproofing
14. steamproofing membrane
15. plasterboard
16. decorative PVC profile

03/2010

The engineering design of this product is an intellectual property of ETEM Building Systems.
Copying and distributing any parts of the product is a violation of the copyright law.

detail 4 – Agrob Buchtal

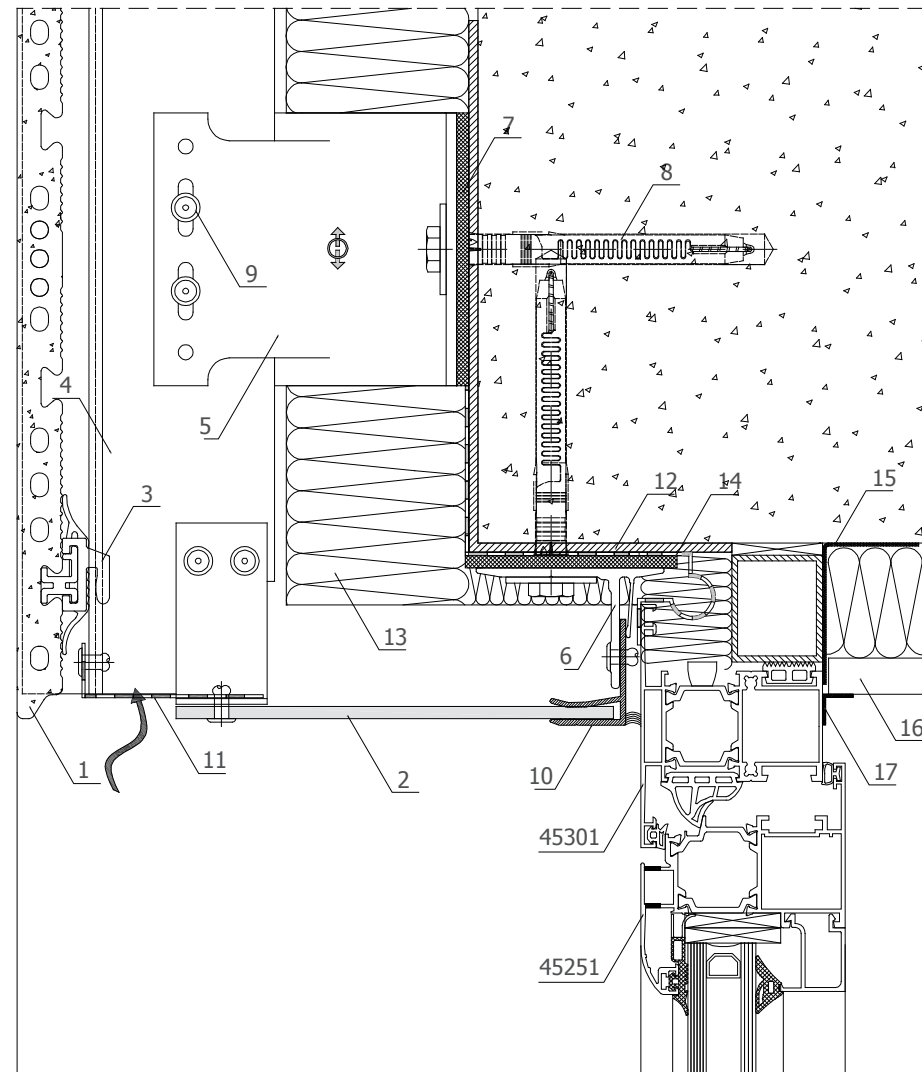


1. ceramic Agrob Buchtal
2. hanger
3. main profile
4. fixing bracket 100mm
5. thermo-insulation pad
6. plug
7. rivet 4.8x12
8. L profile 50x20x2
9. L profile 50x20x2
10. L profile 60x60x2
11. perforated metal sheet
12. aluminum sheet - 3mm
13. thermal insulation
14. waterproofing
15. steamproofing membrane
16. plasterboard
17. decorative PVC profile

03/2010

The engineering design of this product is an intellectual property of ETEM Building Systems.
Copying and distributing any parts of the product is a violation of the copyright law.

detail 4.1 – Agrob Buchtal

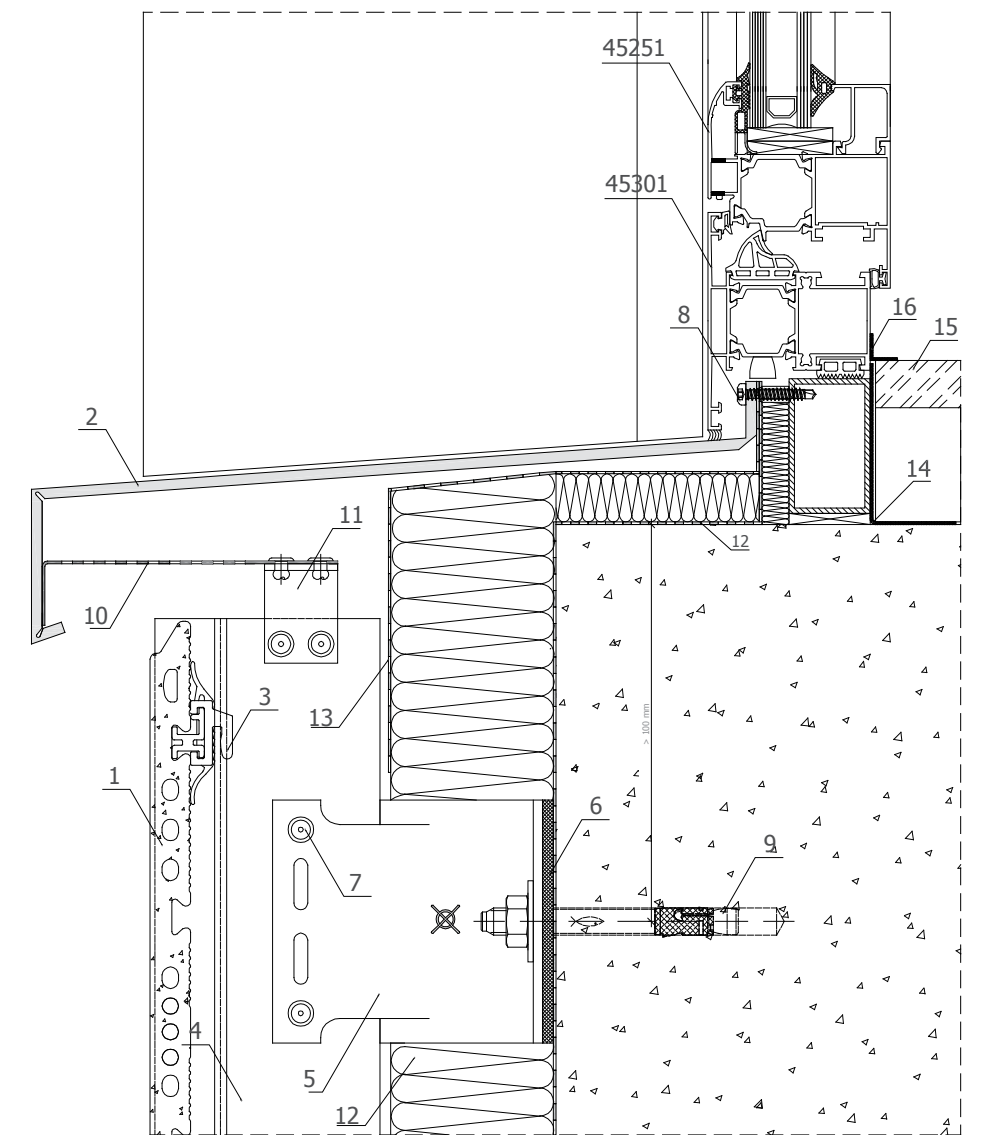


1. ceramic Agrob Buchtal
2. etalbond®
3. hanger
4. main profile
5. fixing bracket 100mm
6. fixing bracket 40mm
7. thermo-insulation pad
8. plug
9. rivet 4.8x12
10. F profile
11. perforated metal sheet
12. aluminum sheet – 3mm
13. thermal insulation
14. waterproofing
15. steamproofing membrane
16. plasterboard
17. decorative PVC profile

03/2010

The engineering design of this product is an intellectual property of ETEM Building Systems. Copying and distributing any parts of the product is a violation of the copyright law.

detail 5 – Agrob Buchtal

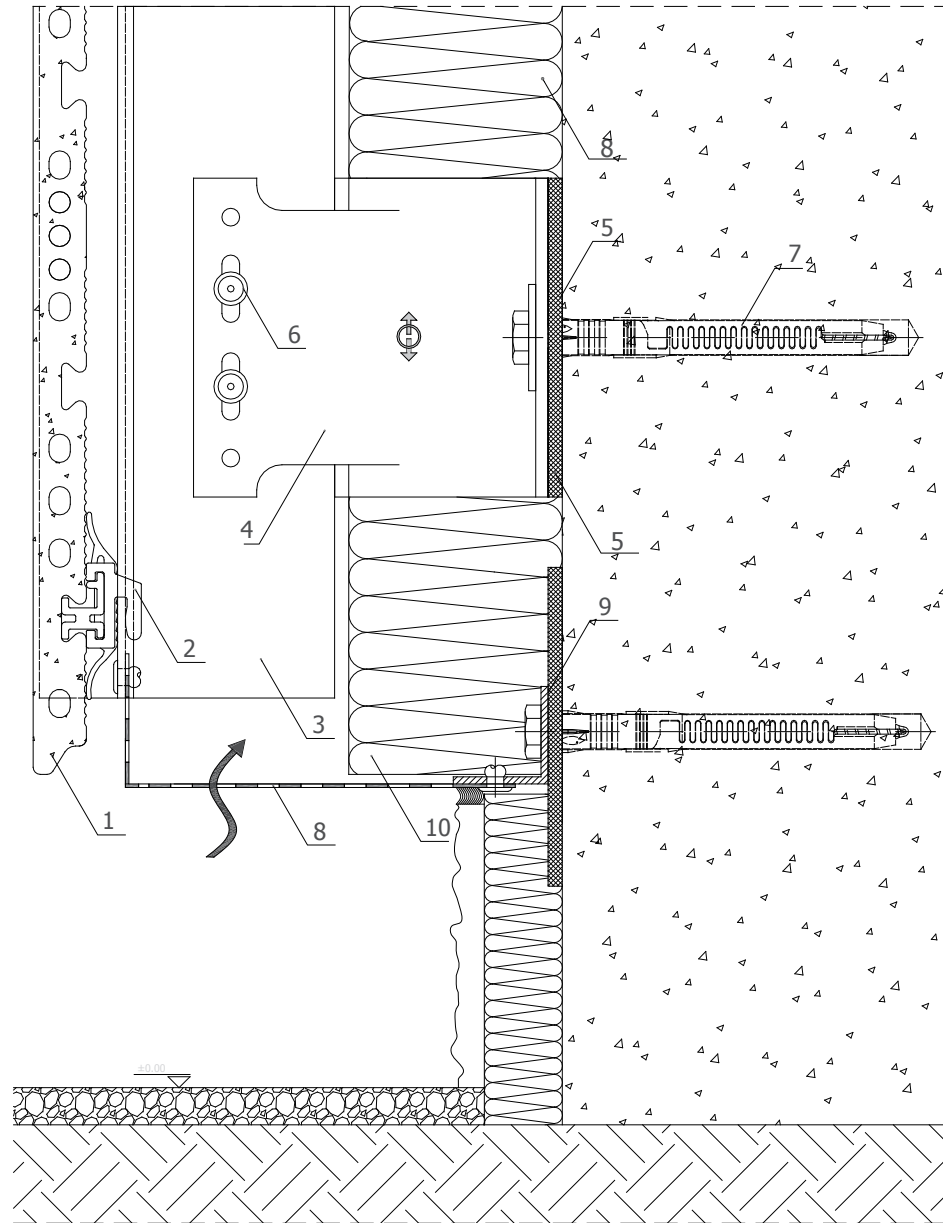


1. ceramic Agrob Buchtal
2. etalbond®
3. hanger
4. main profile
5. fixing bracket 100mm
6. thermo-insulation pad
7. rivet 4.8x12
8. self drilling screw – 4.2x26
9. anchor
10. F profile
11. perforated metal sheet
11. L profile
12. thermal insulation
13. waterproofing
14. steamproofing membrane
15. drip sill
16. decorative PVC profile

03/2010

The engineering design of this product is an intellectual property of ETEM Building Systems. Copying and distributing any parts of the product is a violation of the copyright law.

detail 6 – Agrob Buchtal

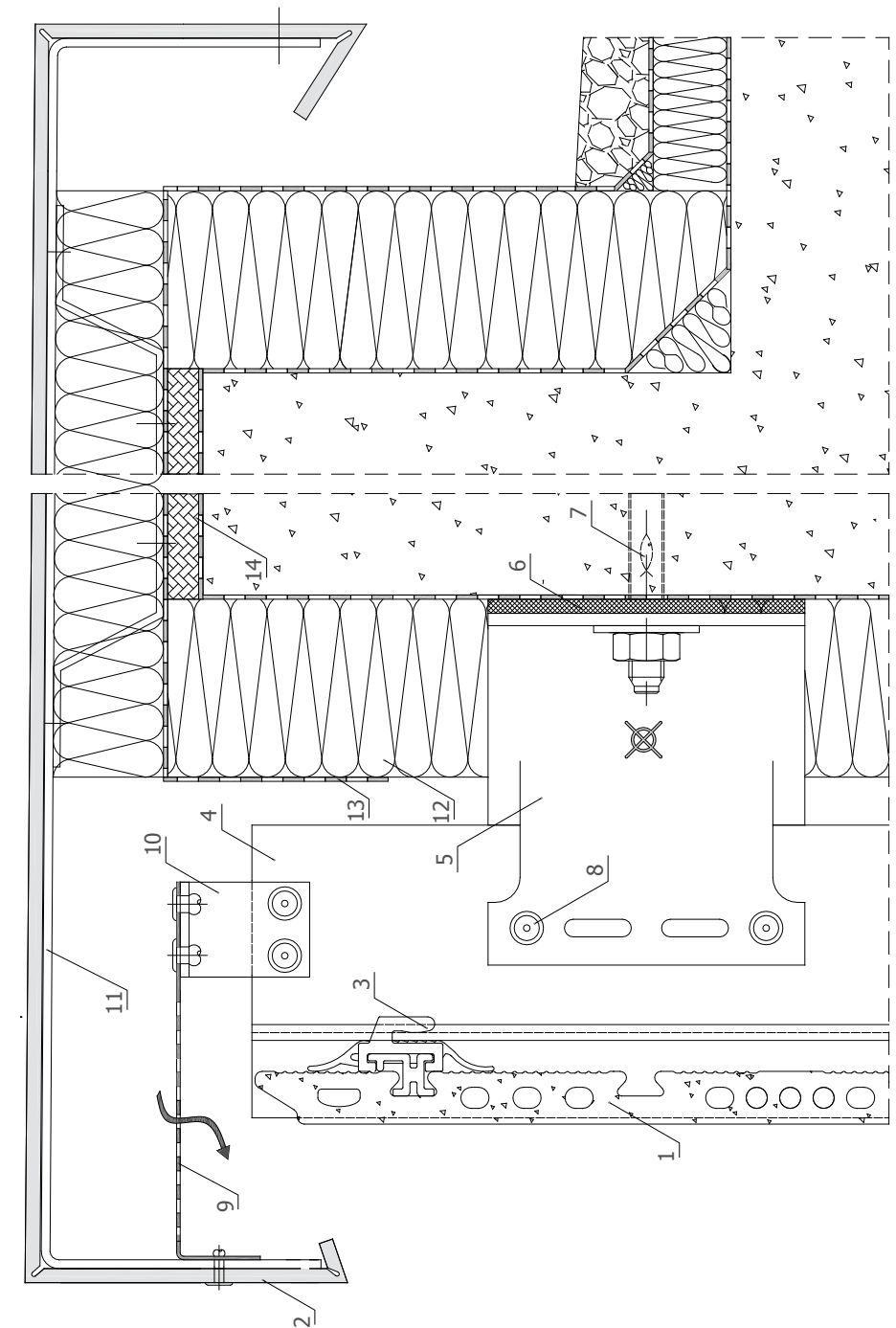


1. ceramic Agrob Buchtal
2. hanger
3. main profile
4. fixing bracket 100mm
5. thermo-insulation pad
6. rivet 4.8x12
7. anchor
8. perforated metal sheet
9. L profile
10. thermal insulation

03/2010

The engineering design of this product is an intellectual property of ETEM Building Systems. Copying and distributing any parts of the product is a violation of the copyright law.

detail 7 – Agrob Buchtal

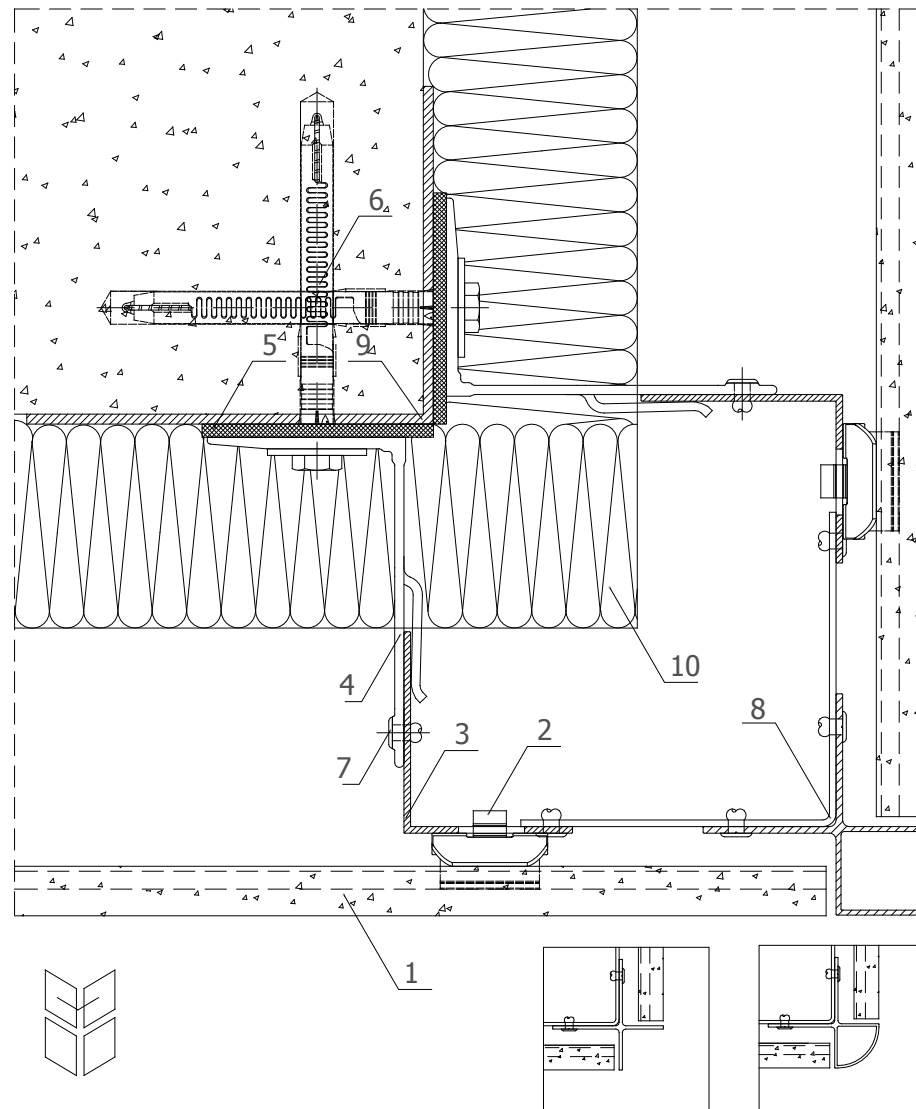


1. ceramic Agrob Buchtal
2. etalbond®
3. hanger
4. main profile
5. fixing bracket 100mm
6. thermo-insulation pad
7. anchor
8. rivet 4.8x12
9. perforated metal sheet
10. L profile
11. aluminum sheet - 3mm
12. thermal insulation
13. waterproofing
14. plywood

03/2010

The engineering design of this product is an intellectual property of ETEM Building Systems. Copying and distributing any parts of the product is a violation of the copyright law.

detail 8 – Agrob Buchtal

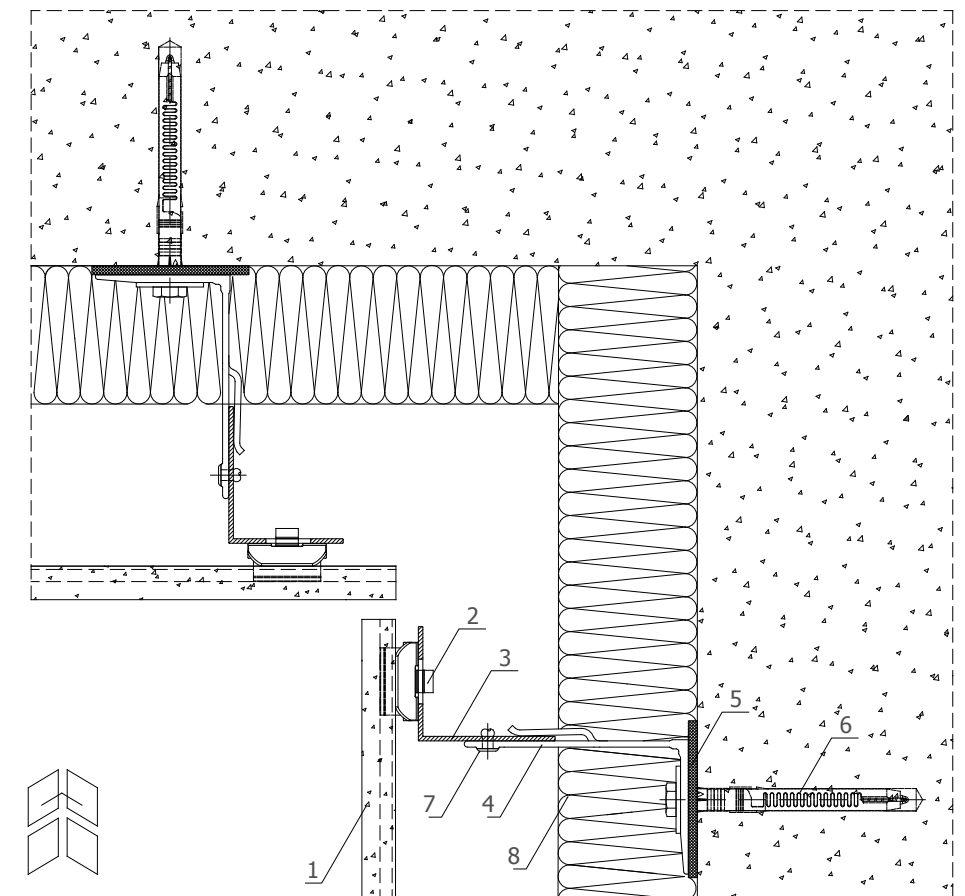


1. ceramic
Agrob Buchtal
2. hanger
3. main profile
4. fixing bracket
100mm
5. thermo-
insulation pad
6. plug
7. rivet 4.8x12
8. corner profile
9. aluminum
sheet - 3mm
10. thermal
insulation

03/2010

The engineering design of this product is an intellectual property of ETEM Building Systems.
Copying and distributing any parts of the product is a violation of the copyright law.

detail 9 – Agrob Buchtal

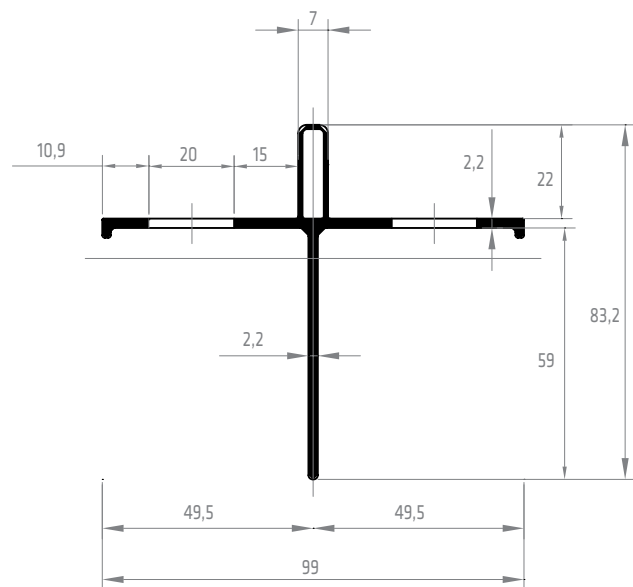


1. ceramic
Agrob Buchtal
2. hanger
3. main profile
4. fixing bracket
100mm
5. thermo-
insulation pad
6. plug
7. rivet 4.8x12
8. thermal
insulation

03/2010

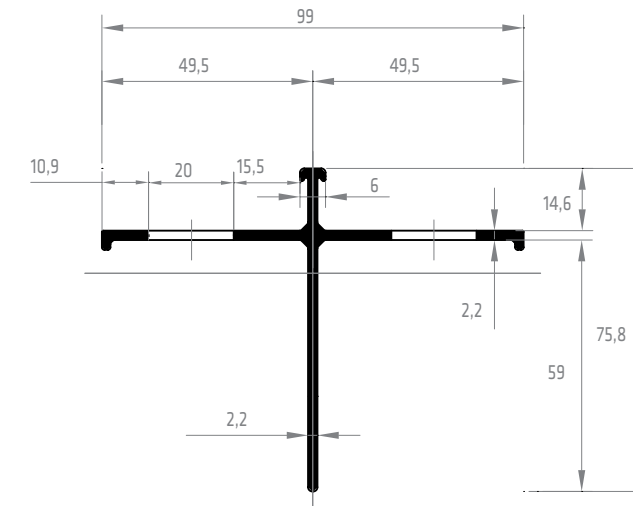
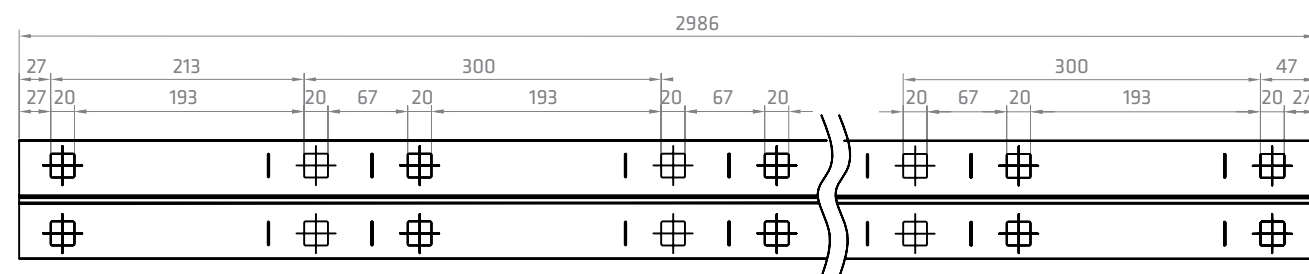
The engineering design of this product is an intellectual property of ETEM Building Systems.
Copying and distributing any parts of the product is a violation of the copyright law.

main profile



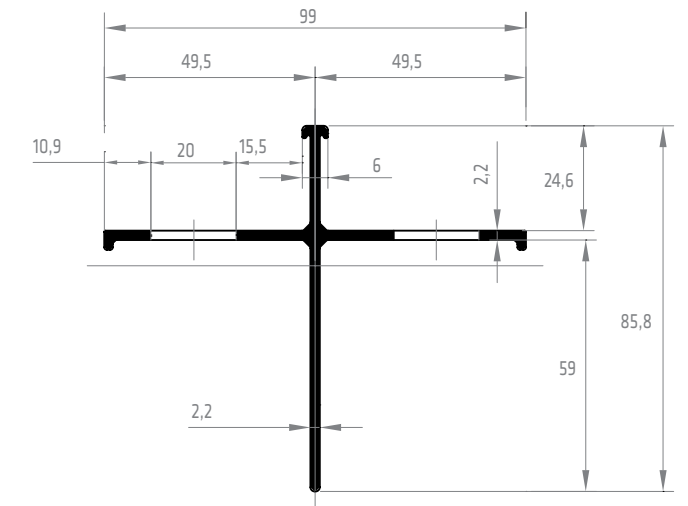
The data concern non-punched profile.

$I_x = 14.020 \text{ cm}^4$	$I_y = 20.012 \text{ cm}^4$
$W_x = 2.704 \text{ cm}^3$	$W_y = 4.043 \text{ cm}^3$
$A = 4.061 \text{ cm}^2$	Weight = 1.101 kg/m



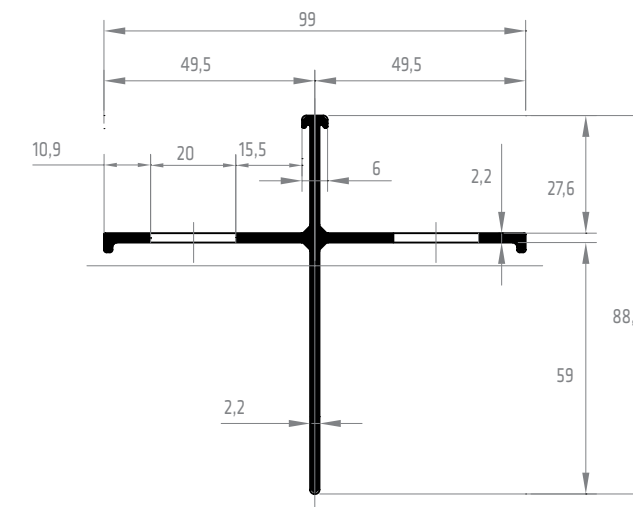
The data concern non-punched profile.

$I_x = 13.078 \text{ cm}^4$	$I_y = 19.979 \text{ cm}^4$
$W_x = 2.554 \text{ cm}^3$	$W_y = 4.036 \text{ cm}^3$
$A = 4.010 \text{ cm}^2$	Weight = 1.087 kg/m



The data concern non-punched profile.

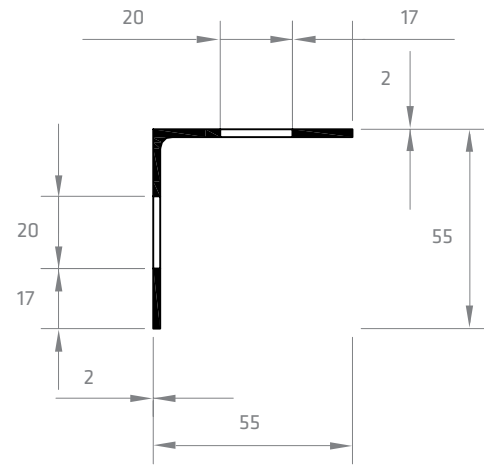
$I_x = 15.403 \text{ cm}^4$	$I_y = 19.979 \text{ cm}^4$
$W_x = 2.909 \text{ cm}^3$	$W_y = 4.036 \text{ cm}^3$
$A = 4.230 \text{ cm}^2$	Weight = 1.146 kg/m



The data concern non-punched profile.

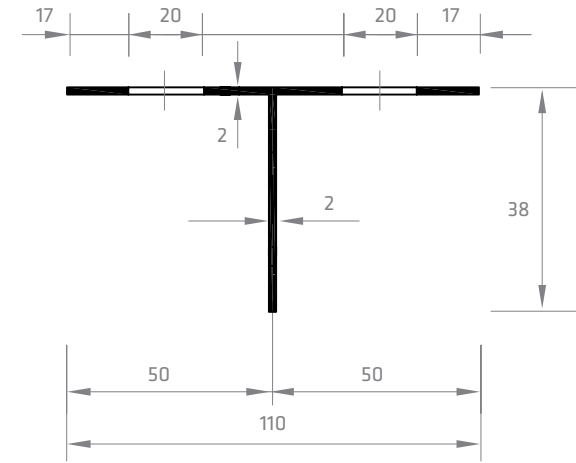
$I_x = 16.346 \text{ cm}^4$	$I_y = 19.980 \text{ cm}^4$
$W_x = 3.052 \text{ cm}^3$	$W_y = 4.036 \text{ cm}^3$
$A = 4.296 \text{ cm}^2$	Weight = 1.164 kg/m

main profile



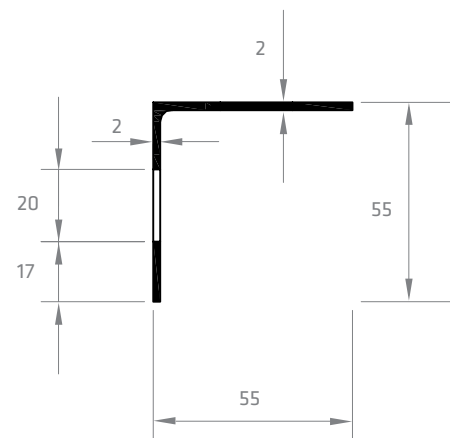
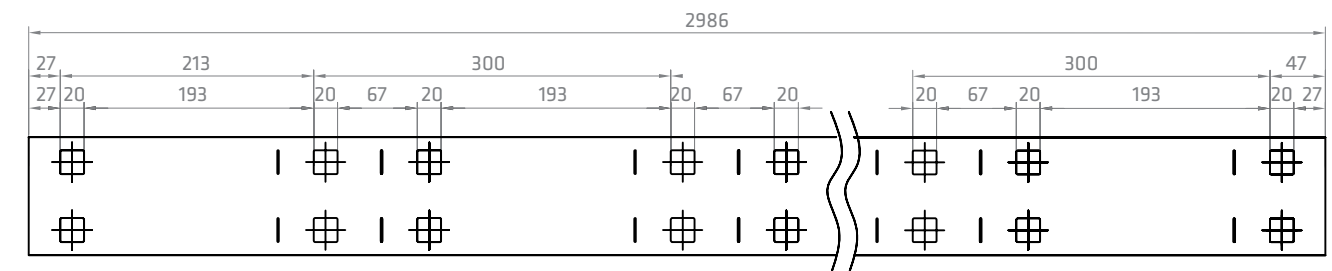
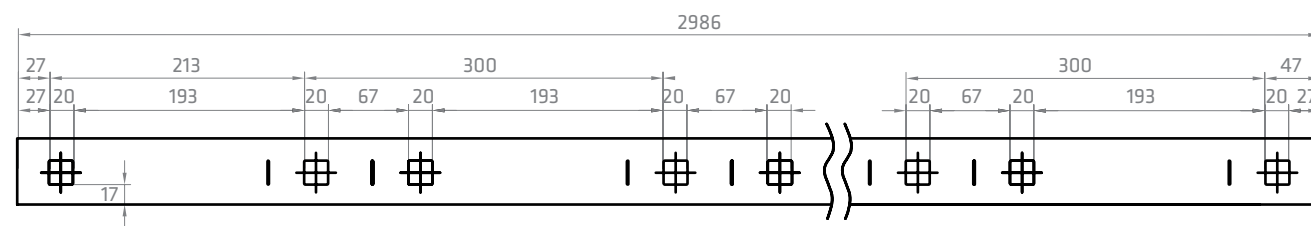
The data concern non-punched profile.

$I_x = 6.598 \text{ cm}^4$	$I_y = 6.598 \text{ cm}^4$
$W_x = 1.624 \text{ cm}^3$	$W_y = 1.624 \text{ cm}^3$
$A = 2.182 \text{ cm}^2$	Weight = 0.591 kg/m



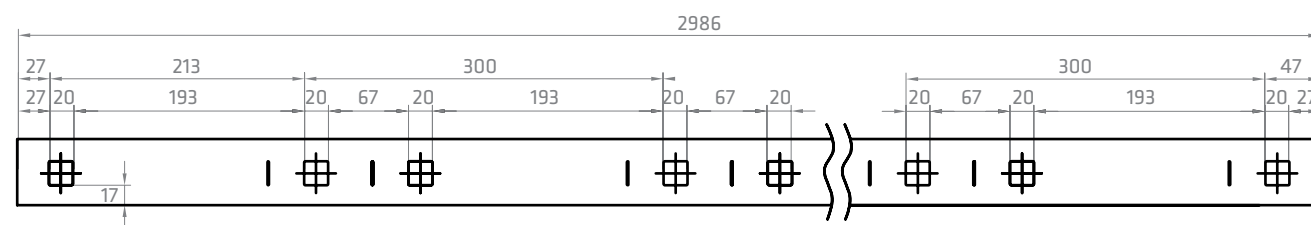
The data concern non-punched profile.

$I_x = 10.095 \text{ cm}^4$	$I_y = 22.187 \text{ cm}^4$
$W_x = 2.075 \text{ cm}^3$	$W_y = 4.034 \text{ cm}^3$
$A = 3.360 \text{ cm}^2$	Weight = 0.911 kg/m

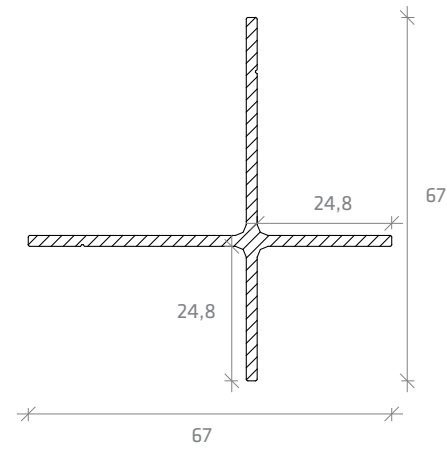


The data concern non-punched profile.

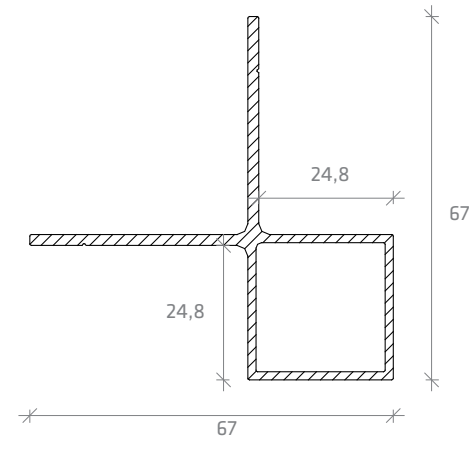
$I_x = 6.598 \text{ cm}^4$	$I_y = 6.598 \text{ cm}^4$
$W_x = 1.624 \text{ cm}^3$	$W_y = 1.624 \text{ cm}^3$
$A = 2.182 \text{ cm}^2$	Weight = 0.591 kg/m



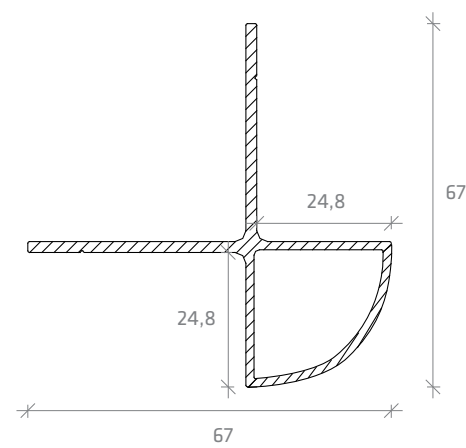
additional profiles



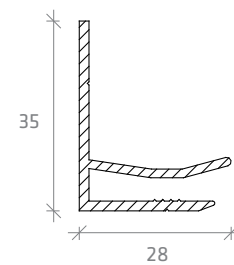
profile-code 33728
weight-793g/m



profile-code 21995
weight -935.3g/m



profile-code 21994
weight -889.6 g/m

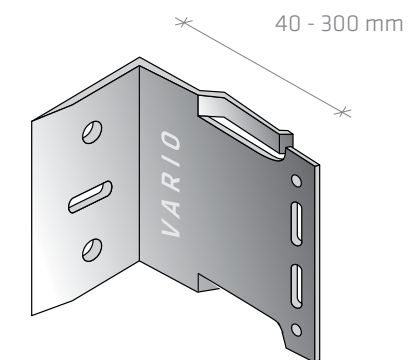
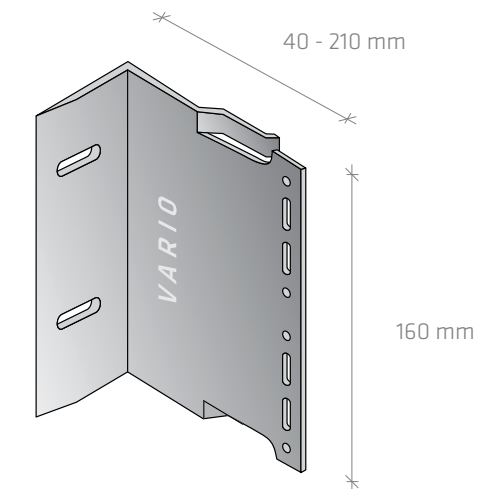


profile-code 31064
weight -392g/m

03/2010

The engineering design of this product is an intellectual property of ETEM Building Systems.
Copying and distributing any parts of the product is a violation of the copyright law.

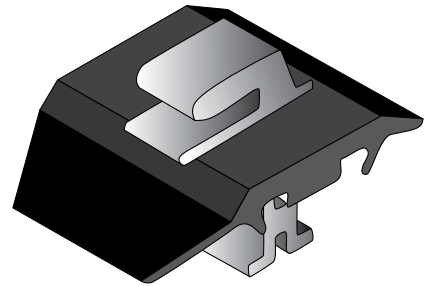
fixing bracket



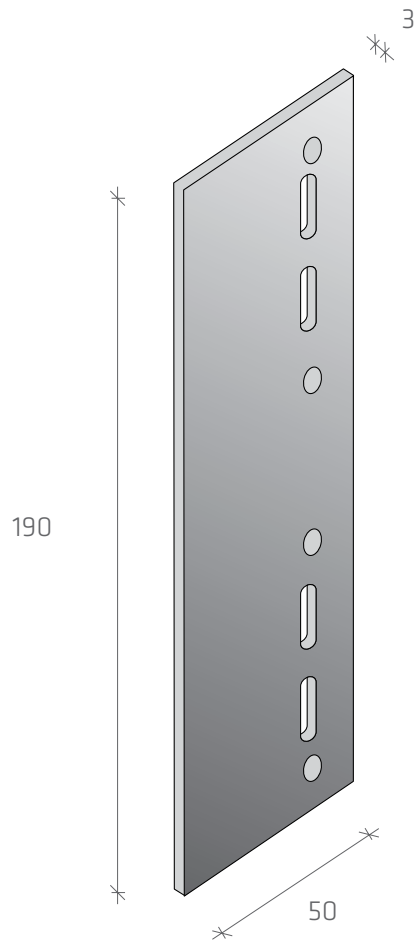
03/2010

The engineering design of this product is an intellectual property of ETEM Building Systems.
Copying and distributing any parts of the product is a violation of the copyright law.

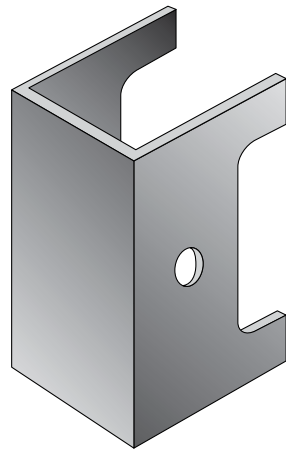
accessories



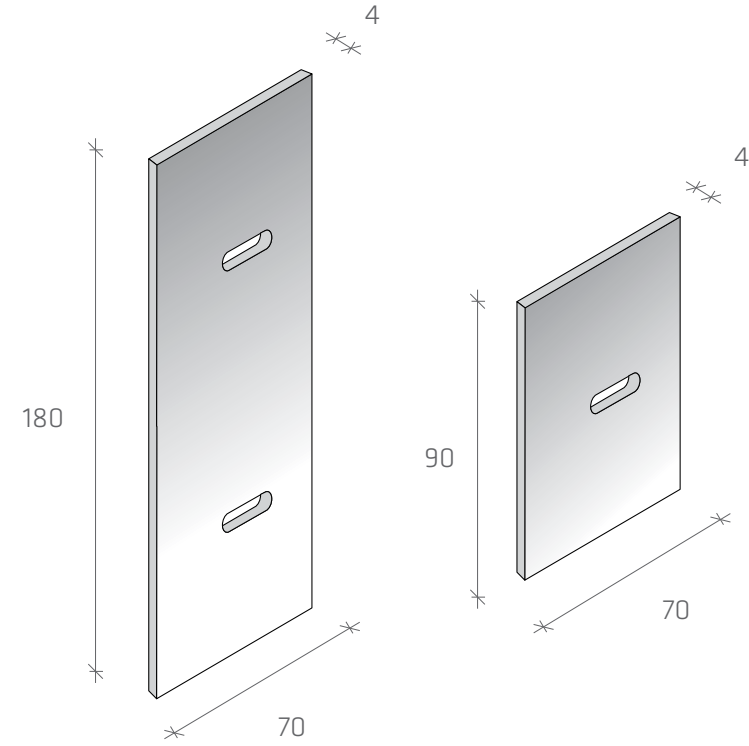
adapter
code 07badaptorH



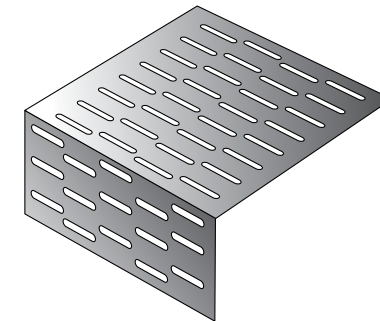
joint profile
code 07shina



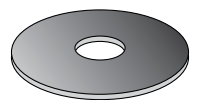
stencil
code 07stencil



thermo-insulation pad
code 07pvcbreak00



gratling



washer
code 07washerQ10

03/2010

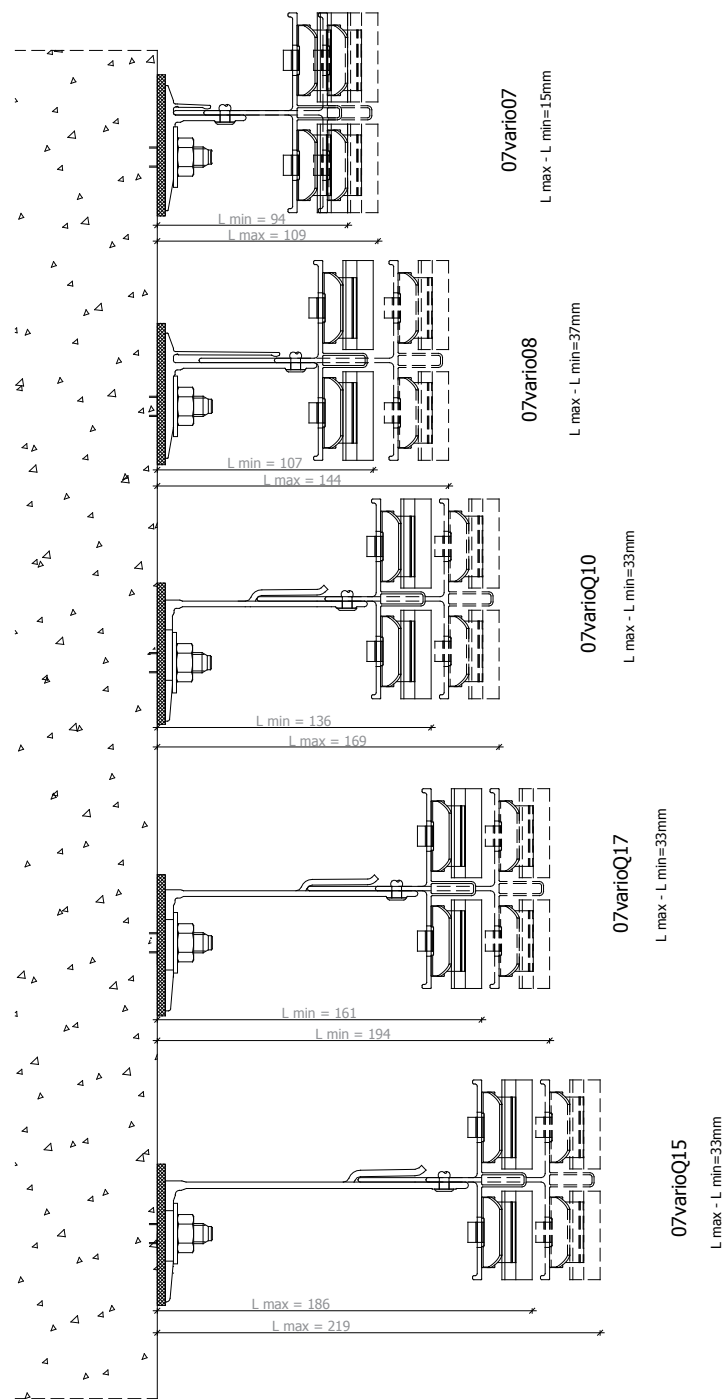
The engineering design of this product is an intellectual property of ETEM Building Systems.
Copying and distributing any parts of the product is a violation of the copyright law.



03/2010

The engineering design of this product is an intellectual property of ETEM Building Systems.
Copying and distributing any parts of the product is a violation of the copyright law.

mounting distance from the construction base of a main supporting profile

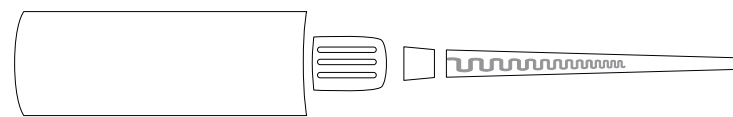


03/2010

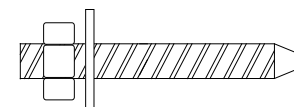
The engineering design of this product is an intellectual property of ETEM Building Systems. Copying and distributing any parts of the product is a violation of the copyright law.



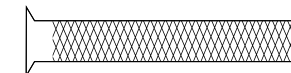
fastening elements



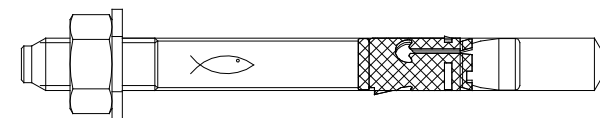
chemical anchor



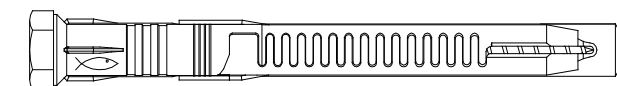
threaded rod



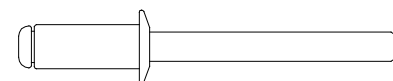
plastic sieve



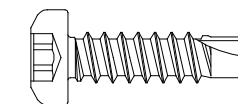
anchor



plug



rivet



self drilling screw

03/2010

The engineering design of this product is an intellectual property of ETEM Building Systems. Copying and distributing any parts of the product is a violation of the copyright law.

